

■ Replacement Parts List

Notes: * Important safety notice:

Components identified by Δ mark have special characteristics important for safety.

Furthermore, special parts which have purposes of fire-retardant (resistors), high-quality sound (capacitors), low-noise (resistors), etc. are used.

When replacing any of components, be sure to use only manufacturer's specified parts shown in the parts list.

* The parenthesized indications in the Remarks columns specify the areas. (Refer to the cover page for area.) Parts without these indications can be used for all areas.

* Remote Control Ass'y: Supply period for three years from terminal of production.

* Capacity values are in microfarads (μ F) unless specified otherwise, P=Pico-farads (pF), F=Farads (F)

* Resistance values are in ohms, unless specified otherwise, 1K=1,000 (OHM), 1M=1,000k (OHM)

* "<IA>, <IB>, <IC>, <ID>, <IE>" marks in Remarks indicate language of instruction manual.

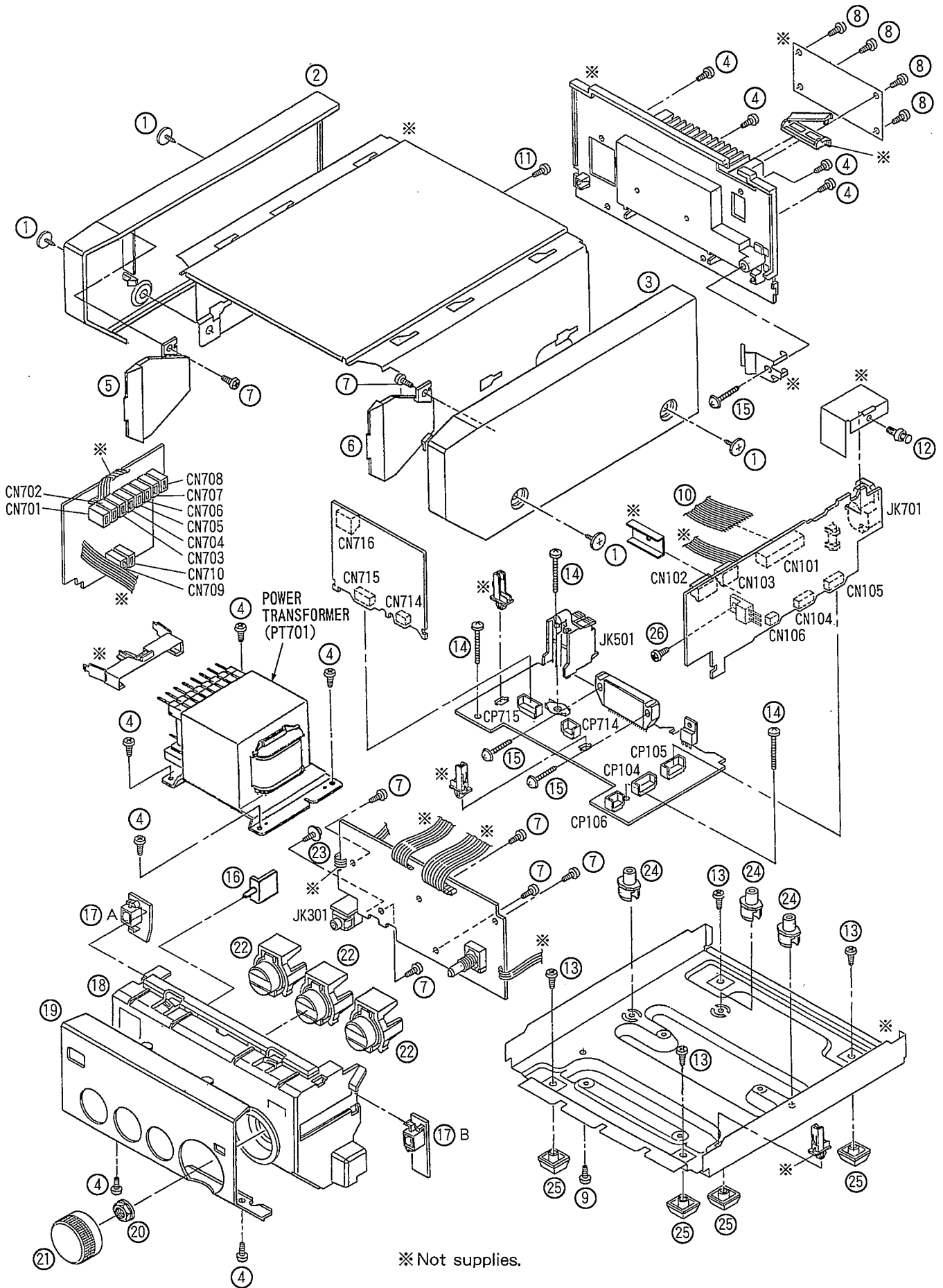
[<IA>: French/Spanish/Swedish, <IB>: German/Italy/Dutch, <IC>: Danish, <ID>: English, <IE>: Russian/Polish/Czeco]

Ref.No.	Part No.	Part Name & Description	Pcs	Remarks
1	RHD30007-S	SCREW	4	
2	RGK0972-S	SIDE PANEL (L)	1	
3	RGK0973-S	SIDE PANEL (R)	1	
4	XTBS3+8JFZ1	SCREW	10	
5	RGL0394-Q	PANEL LIGHT (L)	1	
6	RGL0395-Q	PANEL LIGHT (R)	1	
7	XTBS26+8J	SCREW	7	
8	XTB3+6JFZ	SCREW	4	
9	XTB3+12JFZ	SCREW	1	
10	REX0899	FLAT CABLE (20P)	1	
11	XTBS3+10JFZ1	SCREW	1	
12	SHR9112	RIVET	1	
13	XTB3+5JFZ	SCREW	4	
14	XTB3+20JFZ	SCREW	3	
15	XTW3+15T	SCREW	3	
16	RGL0393-Q	PANEL LIGHT	1	
17	REP2684A-S	LED (L, R) P. C. B. ASS'Y	1	
18	RCP0640-S	GRILLE	1	
19	RCG0147A-S	ALUMI PANEL	1	
20	RHN90001	NUT	1	
21	RGW0277-S	KNOB, VOLUME	1	
22	RGU1603-S	BUTTON	3	
23	RHD26016	SCREW	1	
24	RKQ0089-2	P. C. B. SUPPORT	3	
25	RKA0098-K	FOOT	4	
26	XTB3+8JFZ	SCREW	1	
27	RGH0143A-K	NAME PLATE	1	(E, EG, EP)
27	RGH0143C-K	NAME PLATE	1	(EB)
A1	RQCA0612	QUICK SET UP GUIDE	1	(EB)
A2	EUR646467	REMOTE CONT. TRANSMITTER	1	
A2-1	UR64EC1987	BATT. COVER (REMOTE CONT.)	1	
A3	REE0393	SPEAKER CORD	2	
Δ A4	RJA0019-X	AC POWER SUPPLY CORD	1	(E, EG, EP)
Δ A4	RJA0053-1X	AC POWER SUPPLY CORD	1	(EB)
A5	RQAD0117	WARRANTY CARD	1	
A6	RQT4405-E	INSTRUCTION MANUAL	1	(E)<IA>
A6	RQT4406-D	INSTRUCTION MANUAL	1	(EG)<IB>
A6	RQT4407-H	INSTRUCTION MANUAL	1	(EG)<IC>

Ref.No.	Part No.	Part Name & Description	Pcs	Remarks
A6	RQT4408-B	INSTRUCTION MANUAL	1	(EB) (EP) <ID>
A6	RQT4409-R	INSTRUCTION MANUAL	1	(EP) <IE>
A7	RSA0007	FM INDOOR ANTENNA	1	
A8	RSA0021	AM LOOP ANTENNA	1	
A9	RQCB0169	SERVICENTER LIST	1	
A10	SJP9009	AC PLUG ADAPTOR	1	(EB)
Δ C101	RCE1EW471BV	25V 470U	1	
Δ C102	ECA2AM470B	100V 47U	1	
C103	ECA1EM101B	25V 100U	1	
Δ C104, 05	ECA1HM470B	50V 47U	2	
C106	ECBT1E103ZF5	25V 0.01U	1	
C107	RCE1AKA470BG	10V 47U	1	
C108	RCE1VKA100BG	35V 10U	1	
C109	RCE1AKA470BG	10V 47U	1	
C110	ECEA1VKA470B	35V 47U	1	
C111, 12	ECKR1H103ZF5	50V 0.01U	2	
C113	ECBT1E103ZF5	25V 0.01U	1	
C114	ECA1EM101B	25V 100U	1	
Δ C115	ECA1EM222E	25V 2200U	1	
Δ C116	RCE1EW471BV	25V 470U	1	
C117	ECBT1E103ZF5	25V 0.01U	1	
C118, 19	RCE1CKA100BG	16V 10U	2	
C121, 22	ECBT1E103ZF5	25V 0.01U	2	
C123, 24	ECEA1EKA4R7B	25V 4.7U	2	
C125	ECBT1E103ZF5	25V 0.01U	1	
C301, 02	ECBT1H473ZF5	50V 0.047U	2	
C303	ECEA0JKA221B	6.3V 220U	1	
C304	ECEA0JKA101B	6.3V 100U	1	
C305, 06	ECBT1E103ZF5	25V 0.01U	2	
C307-10	ECBT1H101KB5	50V 100P	4	
C311, 12	ECEA1HKA010B	50V 1U	2	
C313, 14	ECBT1H331KB5	50V 330P	2	
C315, 16	ECEA1EKA4R7B	25V 4.7U	2	
C317, 18	ECBT1E103ZF5	25V 0.01U	2	
C501	ECEA1CKN100B	16V 10U	1	
C503, 04	RCE1HKA3R3BG	50V 3.3U	2	
C505, 06	ECBT1C122KR5	16V 1200P	2	
C507, 08	ECEA1HKA010B	50V 1U	2	
C509	ECA1HM470B	50V 47U	1	
C510	ECEA1HN2R2SB	50V 2.2U	1	
C511, 12	ECBT1H150J5	50V 15P	2	
C515, 16	RCE1HKA3R3BG	50V 3.3U	2	
C517, 18	ECBT1H104ZF5	50V 0.1U	2	
C519	ECEA0JKA101B	6.3V 100U	1	
C520	ECBT1E223ZF5	25V 0.022U	1	
C523, 24	ECBT1E223ZF5	25V 0.022U	2	
C525-30	ECBT1H102KB5	50V 1000P	6	
C551, 52	RCE1AKA300BG	10V 33U	2	
Δ C701, 02	ECA1VM332E	35V 3300U	2	
C703	ECQE1104KF3	100V 0.1U	1	
C704	ECKR2H102ZF5	500V 1000P	1	
C705	ECA1HM470B	50V 47U	1	
CN101	RJS2A5520-1	CONNECTOR (20P)	1	
CN102	RJS8T7ZA	CONNECTOR (8P)	1	
CN103	RJS6T7ZA	CONNECTOR (6P)	1	
CN104, 05	RJU057W007	CONNECTOR (7P)	2	
CN106	RJU057W004	CONNECTOR (4P)	1	
CN301, 02	RJS1A6603T1	CONNECTOR (3P)	2	
CN701-10	RJS1A1101T1	CONNECTOR (1P)	10	
CN714	RJU057W004	CONNECTOR (4P)	1	
CN715	RJU057W007	CONNECTOR (7P)	1	
CN716	RJS4T6ZA	CONNECTOR (4P)	1	
CP104, 05	RJT057W007-1	CONNECTOR (7P)	2	
CP106	RJT057W004-1	CONNECTOR (4P)	1	
CP714	RJT057W004-1	CONNECTOR (4P)	1	
CP715	RJT057W007-1	CONNECTOR (7P)	1	
D101	MA4051MTA	DIODE	1	
D102-04	MA165	DIODE	3	
Δ D105-10	RL1N4003N02	DIODE	6	
Δ D111	MA4062-H	DIODE	1	
Δ D112	MA4300M	DIODE	1	

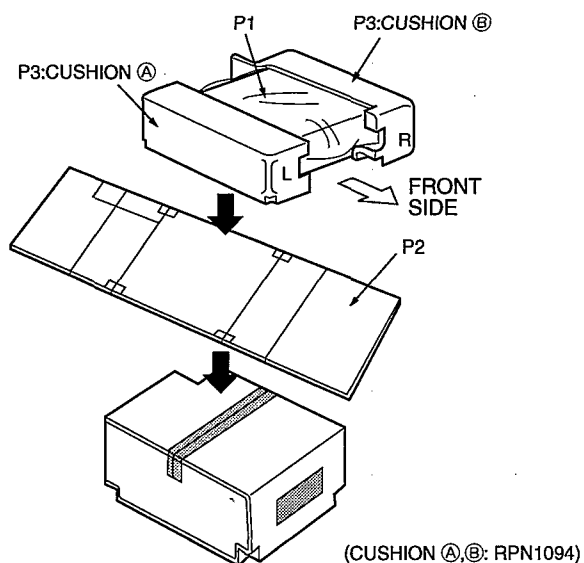
Ref. No.	Part No.	Part Name & Description	Pcs	Remarks	Ref. No.	Part No.	Part Name & Description	Pcs	Remarks
△ D113, 14	1N5402BF	DIODE	2		R107	ERDS2FJ222	1/4W 2.2K	1	
△ D115, 16	RL1N4003N02	DIODE	2		R108	ERDS2FJ472	1/4W 4.7K	1	
△ D117	MA4160W	DIODE	1		R109	ERDS2TJ473T	1/4W 47K	1	
△ D118	MA4110MTA	DIODE	1		R110	ERDS2FJ392	1/4W 3.9K	1	
D119	RL1N4003N02	DIODE	1		△ R111	ERDS2FJ680	1/4W 68	1	
D121, 22	MA165	DIODE	2		R113	ERDS2FJ392	1/4W 3.9K	1	
D123	RL1N4003N02	DIODE	1		R114	ERDS2FJ102	1/4W 1K	1	
D124	MA165	DIODE	1		R115	ERDS2FJ472	1/4W 4.7K	1	
△ D301, 02	MA4150W	DIODE	2		R116	ERDS2TJ182T	1/4W 1.8K	1	
D303	MA4082MTA	DIODE	1		R117	ERDS2FJ102	1/4W 1K	1	
D306	SLR-325VC	LED	1		R301	ERDS2TJ821T	1/4W 820	1	
D307	MA165	DIODE	1		R302	ERDS2FJ102	1/4W 1K	1	
D501	MA4150W	DIODE	1		R303	ERDS2TJ122T	1/4W 1.2K	1	
△ D551, 52	MA4051MTA	DIODE	2		R304	ERDS2TJ152T	1/4W 1.5K	1	
△ D701-04	1N5402BF	DIODE	4		R305	ERDS2TJ182T	1/4W 1.8K	1	
△ D705, 06	RL1N4003N02	DIODE	2		R306	ERDS2FJ222	1/4W 2.2K	1	
△ D707	MA4051MTA	DIODE	1		R307	ERDS2TJ332T	1/4W 3.3K	1	
D708	MA165	DIODE	1		R308	ERDS2FJ102	1/4W 1K	1	
△ F1	XBA2C08TBD	FUSE, T0. 8A	1		△ R309, 10	ERD25FVJ821T	1/4W 820	2	
△ FP701, 02	RSFMB40KT-L	FUSE PROTECTOR	2		R312	ERDS2FJ272	1/4W 2.7K	1	
IC301	M5218AFPE3	IC	1		R313, 14	ERDS2TJ121T	1/4W 120	2	
△ IC501	RSN35H1	IC	1		R315-18	ERDS2FJ470	1/4W 47	4	
JK301	RJJ377N01-C	JACK, HEADPHONES	1		R319, 20	ERDS2TJ563T	1/4W 56K	2	
JK501	RJR0054	JACK, SPEAKERS	1		R321, 22	ERDS2FJ472	1/4W 4.7K	2	
△ JK701	SJS9236-1	JACK, AC INLET	1		R323, 24	ERDS2TJ123T	1/4W 12K	2	
△ L1	RLQZ271M	COIL, CHOKE	1		R327	ERDS2FJ103	1/4W 10K	1	
L501, 02	SLQY07G-40	COIL, CHOKE	2		△ R328	ERDS1FJ471	1/2W 470	1	
P1	SPP740	PROTECTION BAG	4		R329	ERDS2TJ123T	1/4W 12K	1	
P2	RPG3672	PACKING CASE (AMPLIFIER)	1		R331, 32	ERDS2FJ472	1/4W 4.7K	2	
P2	RPG3673	PACKING CASE (DECK)	1		R333, 34	ERDS2TJ122T	1/4W 1.2K	2	
P2	RPG3674	PACKING CASE (CD/TUNER)	2		R336	ERDS2TJ121T	1/4W 120	1	
P3	RPN1094	CUSHION (AMPLIFIER)	1		R502	ERDS2FJ684	1/4W 680K	1	
P3	RPN1095	CUSHION (DECK)	1		R503	ERDS2FJ102	1/4W 1K	1	
P3	RPN1096	CUSHION (CD/TUNER)	2		R504	ERDS2FJ105	1/4W 1M	1	
P4	RPG3892	PACKING CASE (SYSTEM)	1 (E)		R505, 06	ERDS2FJ472	1/4W 4.7K	2	
P4	RPG3893	PACKING CASE (SYSTEM)	1 (EP)		R507, 08	ERDS2TJ122T	1/4W 1.2K	2	
P4	RPG3959	PACKING CASE (SYSTEM)	1 (EG)		R509, 10	ERDS2FJ104	1/4W 100K	2	
P4	RPG3960	PACKING CASE (SYSTEM)	1 (EB)		R511, 12	ERDS2FJ102	1/4W 1K	2	
P5	RPF0139	PROTECTION BAG (F.B.)	1		R513, 14	ERDS2TJ563T	1/4W 56K	2	
P6	RPQ0164	PAD	1		R515	ERDS2TJ334T	1/4W 330K	1	
P7	RPQ0837	PAD	1		△ R516	ERD25FVJ821T	1/4W 820	1	
△ PT701	RTP1V5B010-W	POWER TRANSFORMER	1 (EB)		△ R517, 18	ERD25FVJ2R2T	1/4W 2.2	2	
△ PT701	RTP1V5E007-W	POWER TRANSFORMER	1 (E, EG, EP)		R519, 20	ERDS2TJ563T	1/4W 56K	2	
△ Q101	2SD2374PQAU	TRANSISTOR	1		R521, 22	ERDS2TJ473T	1/4W 47K	2	
△ Q102	2SB621AQRSTA	TRANSISTOR	1		R523, 24	ERDS2FJ272	1/4W 2.7K	2	
Q103	2SC3311AIRTA	TRANSISTOR	1		△ R525, 26	ERDS2FJ100	1/4W 10	2	
△ Q104	2SC3940AQSTA	TRANSISTOR	1		△ R527, 28	ERDS1FJ100	1/2W 10	2	
△ Q105	2SD2374PQAU	TRANSISTOR	1		R529	ERDS2FJ823	1/4W 82K	1	
△ Q106	2SD2144STA	TRANSISTOR	1		R530	ERDS2FJ124	1/4W 120K	1	
Q301, 02	2SD2144STA	TRANSISTOR	2		R531	ERDS2TJ563T	1/4W 56K	1	
Q303	UN4115TA	TRANSISTOR	1		R532	ERDS2TJ564T	1/4W 560K	1	
Q304	2SA1309A1QTA	TRANSISTOR	1		R533	ERDS2TJ223T	1/4W 22K	1	
Q305	2SD592AQRSTA	TRANSISTOR	1		R534	ERDS2FJ103	1/4W 10K	1	
Q307, 08	2SD2144STA	TRANSISTOR	2		R535	ERDS2TJ473T	1/4W 47K	1	
Q501	UN4115TA	TRANSISTOR	1		R551-56	ERDS2FJ472	1/4W 4.7K	6	
Q503, 04	2SD2144STA	TRANSISTOR	2		R557, 58	ERDS2TJ122T	1/4W 1.2K	2	
Q505, 06	2SC3311AIRTA	TRANSISTOR	2		R702	ERDS2FJ392	1/4W 3.9K	1	
Q508, 09	2SC3311AIRTA	TRANSISTOR	2		R703	ERDS2TJ333T	1/4W 33K	1	
Q510	2SA1309A1QTA	TRANSISTOR	1		△ R704	ERDS2FJ680	1/4W 68	1	
Q511	2SC3311AIRTA	TRANSISTOR	1		R707	ERDS2TJ684T	1/4W 680K	1	
Q513, 14	2SD2144STA	TRANSISTOR	2		R708	ERDS2FJ104	1/4W 100K	1	
Q701	2SC3311AIRTA	TRANSISTOR	1		△ RL101	RSY0013M-0	RELAY	1	
R101	ERDS2FJ103	1/4W 10K	1		△ RL701	RSY0013M-0	RELAY	1	
R102, 03	ERDS2FJ682	1/4W 6.8K	2		S301-08	EVQPTD05Q	SW, TACT	8	
R104	ERDS2FJ101	1/4W 100	1		VR301	EVQVBXFK124B	V. R, VOLUME	1	
△ R105, 06	ERDS2FJ100	1/4W 10	2						

Cabinet Parts Location

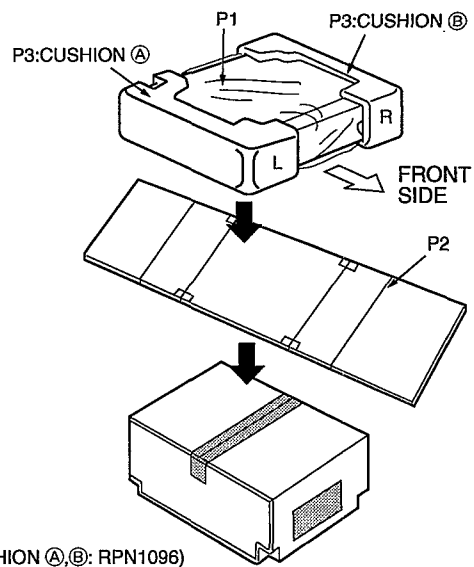


■ Packaging

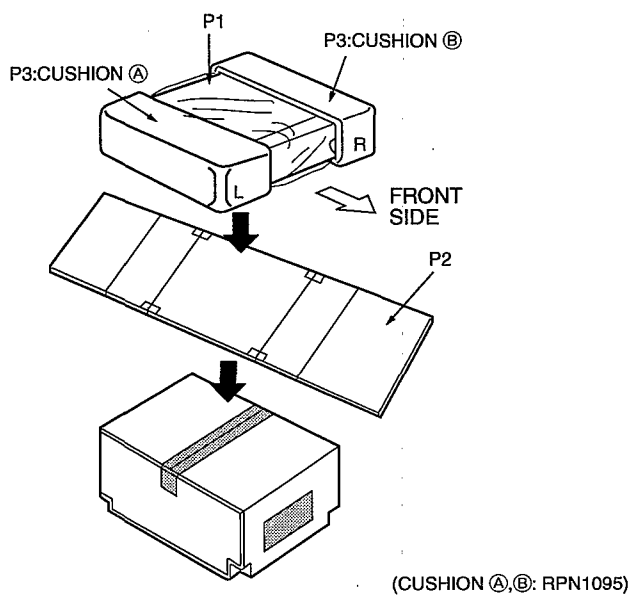
Amplifier : SE-HD55



CD Player : SL-HD55



Cassette deck : RS-HD75



Tuner : ST-HD55

